



JUN CS

JUN CS

13-1, Geumo-ro 794beon-gil, Gwangmyeong-si, Gyeonggi-do, 14297, Korea

Sales Company

FORCEN

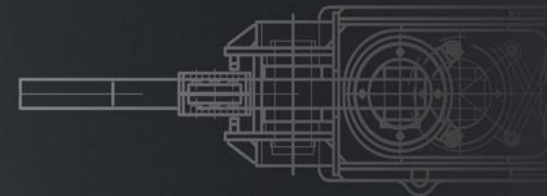
13-1, Geumo-ro 794beon-gil, Gwangmyeong-si, Gyeonggi-do, 14297, Korea

Tel +82-2615-5492 Fax +82-2615-5455

E-mail : sohnsi@forcen.co.kr

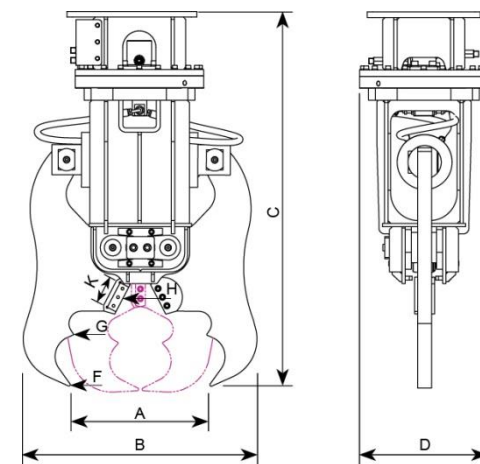
www.forcen.co.kr

Mini Crusher (1-cylinder)



- Lightweight design for stability of operating machine
- One cylinder system for powerful crushing and speed
- High strength and wear resistance materials (Hardox) for reliability
- Full line-up for mini excavators

Description		units	CR010R	CR020R	CR030R-S	CR050H-S
Weight		kg	105	180	360	480
Max Opening Width	A	mm	280	360	430	520
Overall Width	B	mm	568	688	767	850
Overall Length	C	mm	820	973	1,230	1,362
Overall Height	D	mm	260	290	350	465
Crushing Force	F	kN	186 (@ 21MPa)	206 (@ 21MPa)	265 (@ 21MPa)	314 (@ 24MPa)
	G	kN	294 (@ 21MPa)	588 (@ 21MPa)	373 (@ 21MPa)	481 (@ 24MPa)
Cutting Force	H	kN	510 (@ 21MPa)	588 (@ 21MPa)	794 (@ 21MPa)	990 (@ 24MPa)
Cutter Length	K	mm	75	100	100	100
Allowable Max. System Pressure		MPa	28	28	28	30
Swing Motor Setting Pressure		MPa	-	-	-	8
Recommended Oil Flow	Cylinder	lpm	15 ~ 35	20 ~ 45	30 ~ 75	50 ~ 90
	S / Motor	lpm	-	-	-	10 ~ 15
Rotating		-	Free			Hydraulic
Recommended Carrier Weight		ton	0.7 ~ 2.0	1.5 ~ 3.0	2.5 ~ 5.0	4.5 ~ 8.0



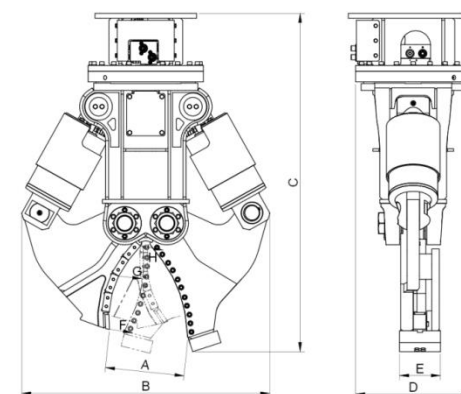
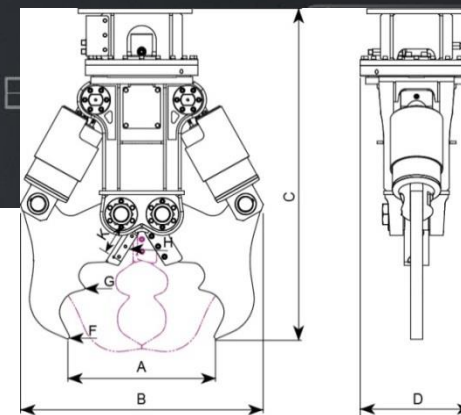
* Above specifications are subject to change without prior notice.

Mini Crusher (2-cylinder)

- Lightweight design for stability of operating machine
- 2-cylinder system for easy working
- Speed-up valve for fast work (Standard)
- High strength and wear resistance materials (Hardox) for reliability

Description		units	MP030R-S	MP050HC-S	MP050HS-S
Weight		kg	345	570	600
Max Opening Width	A	mm	490	610	319
Overall Width	B	mm	777	1,000	1,000
Overall Length	C	mm	1,140	1,360	1,363
Overall Height	D	mm	350	465	465
Crushing Force	F	kN	177 (@ 21MPa)	294 (@ 24MPa)	382 (@ 24MPa)
	G	kN	284 (@ 21MPa)	481 (@ 24MPa)	765 (@ 24MPa)
Cutting Force	H	kN	677 (@ 21MPa)	1,128 (@ 24MPa)	1,480 (@ 24MPa)
Cutter Length	K	mm	100	125	75/150/53/65
Allowable Max. System Pressure		MPa	28	30	30
Swing Motor Setting Pressure		MPa	-	8	8
Recommended Oil Flow	Cylinder	lpm	30 ~ 75	50 ~ 90	50 ~ 90
	S / Motor	lpm	-	10 ~ 15	10 ~ 15
Speed-up Valve		-	Standard	Standard	Standard
Rotating		-	Free	Hydraulic	Hydraulic
Recommended Carrier Weight		ton	2.5 ~ 5.0	4.5 ~ 8.0	4.5 ~ 8.0

* Above specifications are subject to change without prior notice.

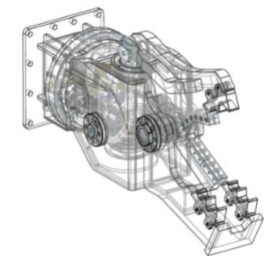
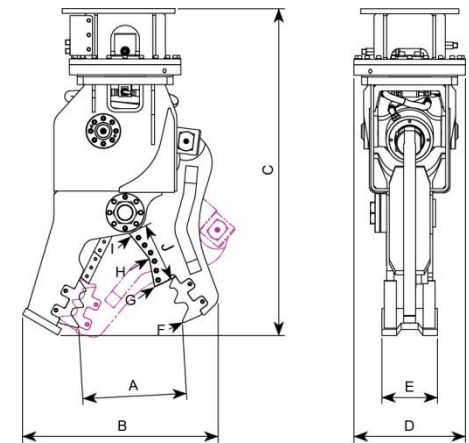
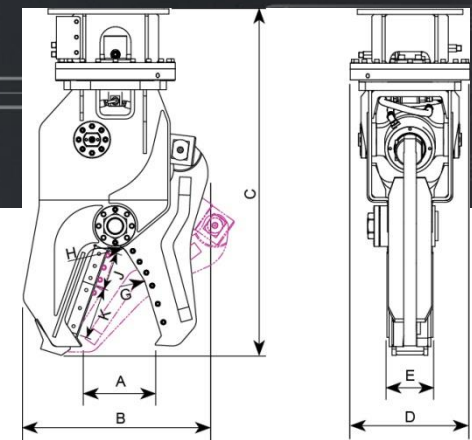


Mini Shear

- Lightweight design for stability of operating machine
- Trunnion mounting cylinder for compact design
- Simple gap adjustment system for maintenance in the field
- High strength and wear resistance materials (Hardox) for reliability
- Full line-up for mini excavators

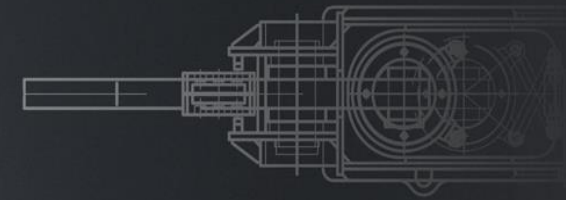
Description		units	SH020R-S	SH030R-S	SH040R-S	SH050H-S	SH050H-SD
Weight		kg	190	290	400	500	540
Max Opening Width	A	mm	205	230	270	290	432
Overall Width	B	mm	478	563	710	720	790
Overall Length	C	mm	950	1,127	1,241	1,356	1,357
Overall Height	D	mm	290	350	404	465	465
Body Width	E	mm	132	145	145	180	232
Crushing Force	F	kN	-	-	-	-	324 (@ 24MPa)
Cutting Force	G	kN	304 (@ 21MPa)	431 (@ 21MPa)	549 (@ 21MPa)	686 (@ 24MPa)	500 (@ 24MPa)
	H	kN	608 (@ 21MPa)	1,079 (@ 21MPa)	716 (@ 21MPa)	1,667 (@ 24MPa)	775 (@ 24MPa)
	I	kN	-	-	1,648 (@ 21MPa)	-	1,667 (@ 24MPa)
Cutter Length	J	mm	100	125	125	150	247
	K	mm	100	150	-	200	-
Allowable Max. System Pressure		MPa	28	28	28	30	30
Swing Motor Setting Pressure		MPa	-	-	-	8	8
Recommended Oil Flow	Cylinder	lpm	20 ~ 45	30 ~ 75	30 ~ 90	50 ~ 90	50 ~ 90
	S / Motor	lpm	-	-	-	10 ~ 15	10 ~ 15
Rotating		-	Free			Hydraulic	
Recommended Carrier Weight		ton	1.5 ~ 3.0	2.5 ~ 5.0	3.5 ~ 8.0	4.5 ~ 8.0	4.5 ~ 8.0

* Above specifications are subject to change without prior notice.

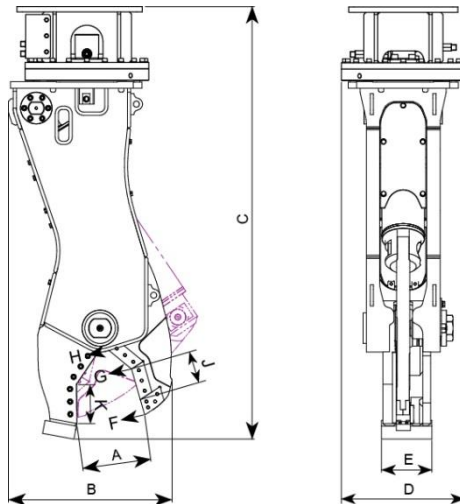


Demolition Shear (SH050H-SD)

Mini Scrap Shear (Piercing type)



- Piercing shearing
- Simple gap adjustment system for maintenance in the field
- High strength and wear resistance materials (Hardox) for reliability

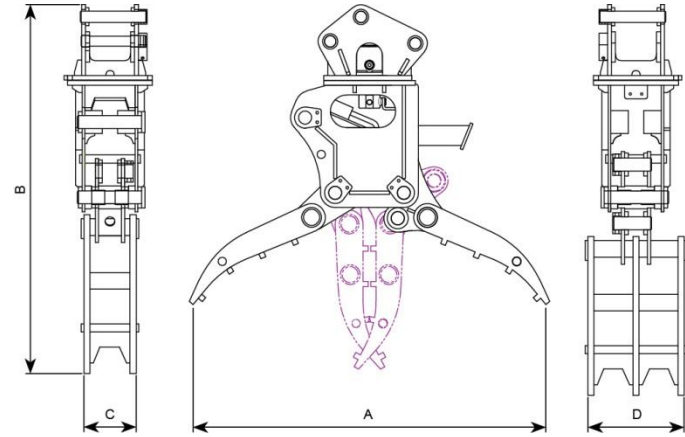


Description		units	SS050H-S
Weight		kg	470
Max Opening Width	A	mm	258
Overall Width	B	mm	616
Overall Length	C	mm	1,628
Overall Height	D	mm	465
Body Width	E	mm	190
Cutting Force	F	kN	294 (@ 24MPa)
	G	kN	559 (@ 24MPa)
	H	kN	1,206 (@ 24MPa)
Cutter Length	J	mm	120
	K	mm	145
Allowable Max. System Pressure		MPa	30
Swing Motor Setting Pressure		MPa	8
Recommended Oil Flow	Cylinder	lpm	50 ~ 90
	S / Motor	lpm	10 ~ 15
Rotating		-	Hydraulic
Recommended Carrier Weight		ton	4.5 ~ 8.0

* Above specifications are subject to change without prior notice.

Mini Fork

- Lightweight design for stability of operating machine
- 4-bar linkage system for fast motion and wide opening
- High strength and wear resistance materials (Hardox) for reliability
- Full line-up for mini excavators



Rotating

Description		units	TF010R	TF020R	TF030R
Weight		kg	77	148	218
Max Opening Width	A	mm	858	1,080	1,250
Overall Length	B	mm	937	1,129	1,322
Upper arm Width	C	mm	124	160	205
Lower arm Width	D	mm	238	295	370
Allowable Max. System Pressure		MPa	28	28	28
Recommended Oil Flow		lpm	15 ~ 35	20 ~ 45	30 ~ 75
Recommended Carrier Weight		ton	0.7 ~ 2.0	1.5 ~ 3.0	2.5 ~ 5.0

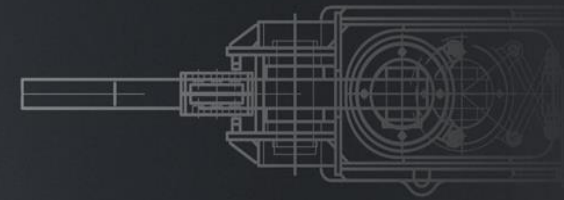
* Above specifications are subject to change without prior notice.

Fixed

Description		units	TF010F	TF020F	TF030F	TF050F
Weight		kg	60	115	165	300
Max Opening Width	A	mm	858	1,080	1,250	1,360
Overall Length	B	mm	750	950	1,105	1,265
Upper arm Width	C	mm	124	160	205	230
Lower arm Width	D	mm	238	295	370	390
Allowable Max. System Pressure		MPa	28	28	28	28
Recommended Oil Flow		lpm	15 ~ 35	20 ~ 45	30 ~ 75	50 ~ 90
Recommended Carrier Weight		ton	0.7 ~ 2.0	1.5 ~ 3.0	2.5 ~ 5.0	4.5 ~ 8.0

* Above specifications are subject to change without prior notice.

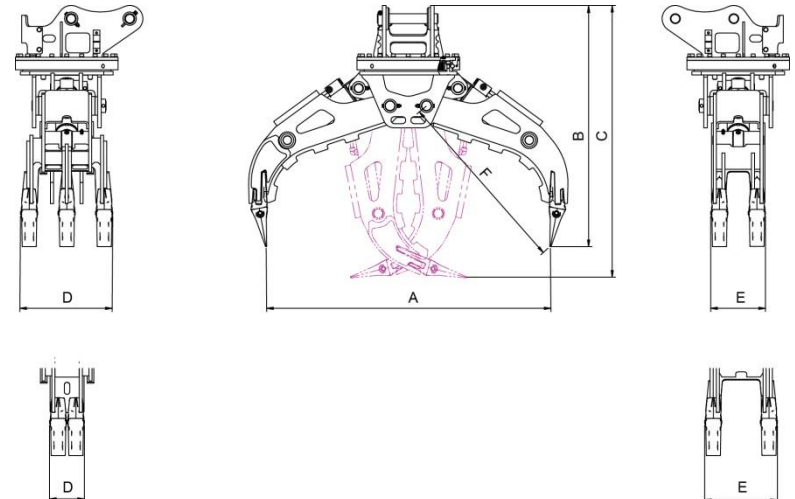
Mini Stone Grab



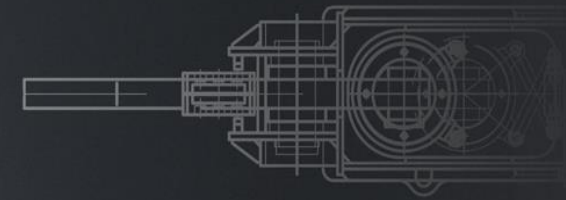
- 360° hydraulic rotating
- Internal gear type swing bearing for durability
- High strength and wear resistance materials (Hardox) for reliability
- Double relief valve for swing motor

Description		units	ST050H	
			2x2	2x3
Weight		kg	360	365
Arm Max Opening Width	A	mm	1,288	
Overall Length	B	mm	1,113	
	C	mm	1,254	
Arm Width	D	mm	158	418
	E	mm	330	248
Arm radius	F	mm	850	
Allowable Max. System Pressure		MPa	24	
Swing Motor Setting Pressure		MPa	8	
Recommended Oil Flow	Cylinder	lpm	50 ~ 90	
	S / Motor	lpm	10 ~ 15	
Rotating		-	Hydraulic	
Recommended Carrier Weight		ton	5.0 ~ 8.0	

* Above specifications are subject to change without prior notice.

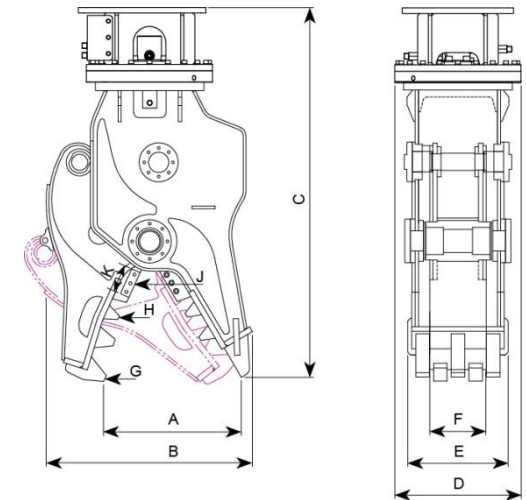


Mini Pulverizer (Rotating)



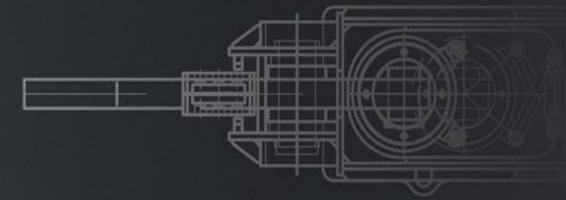
- 360° hydraulic rotating
- Trunnion mounting cylinder for compact design
- High strength and wear resistance materials (Hardox) for reliability
- Speed-up valve for fast work (Standard)

Description		units	PR050H-S
Weight		kg	550
Max Opening Width	A	mm	508
Overall Width	B	mm	760
Overall Length	C	mm	1,384
Overall Height	D	mm	465
Body Width	E	mm	370
Arm Width	F	mm	208
Crushing Force	G	kN	206 (@ 24MPa)
	H	kN	353 (@ 24MPa)
Cutting Force	J	kN	628 (@ 24MPa)
Cutter Length	K	mm	100
Allowable Max. System Pressure		MPa	30
Swing Motor Setting Pressure		MPa	8
Recommended Oil Flow	Cylinder	lpm	50 ~ 90
	S / Motor	lpm	10 ~ 15
Speed-up Valve	-	-	Standard
Rotating	-	-	Hydraulic
Recommended Carrier Weight		ton	4.5 ~ 8.0



* Above specifications are subject to change without prior notice.

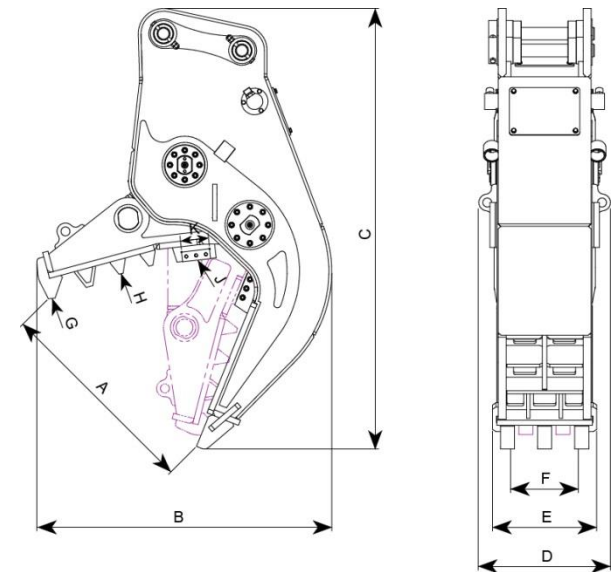
Mini Pulverizer (Fixed)



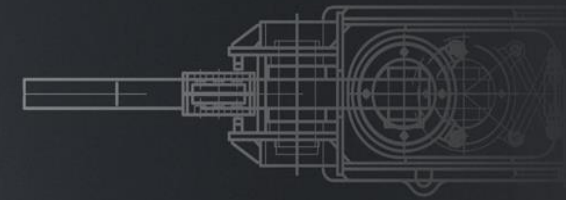
- Wide jaw opening for work efficient
- Trunnion mounting cylinder for compact design
- High strength and wear resistance materials (Hardox) for reliability

Description		units	PR050F	PR080F
Weight		kg	580	650
Max Opening Width	A	mm	745	745
Overall Width	B	mm	1,048	1,057
Overall Length	C	mm	1,570	1,604
Overall Height	D	mm	468	468
Body Width	E	mm	370	370
Arm Width	F	mm	252	310
Crushing Force	G	kN	216 (@ 24MPa)	245 (@ 28MPa)
	H	kN	333 (@ 24MPa)	382 (@ 28MPa)
Cutting Force	J	kN	716 (@ 24MPa)	951 (@ 28MPa)
Cutter Length	K	mm	100	100
Allowable Max. System Pressure		MPa	27	30
Recommended Oil Flow		lpm	50 ~ 90	60 ~ 130
Recommended Carrier Weight		ton	4.5 ~ 7.0	5.5 ~ 10

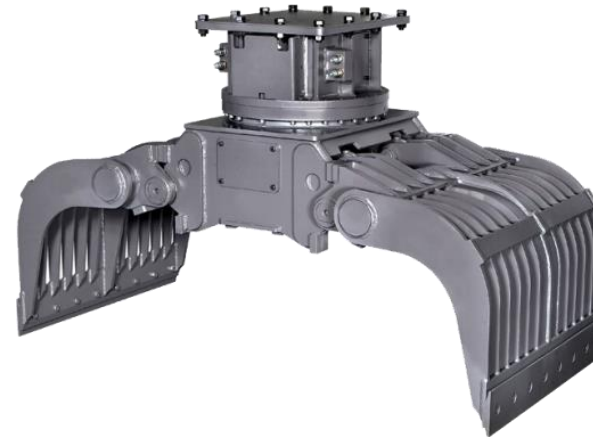
* Above specifications are subject to change without prior notice.



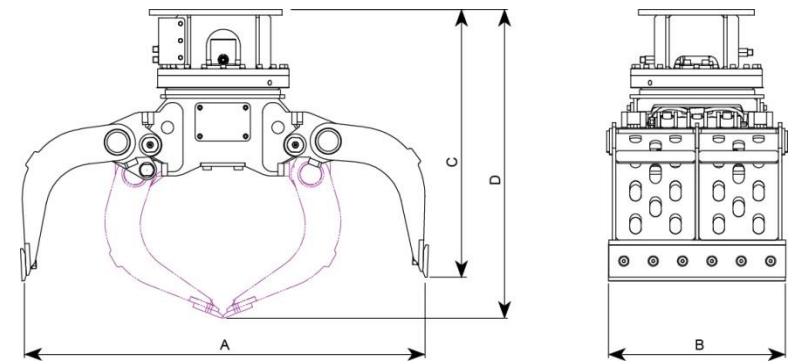
Mini Sorting Grab



- 360° hydraulic rotating
- Double cylinder system for closing and grab force
- High strength and wear resistance materials (Hardox) for reliability

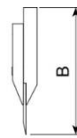
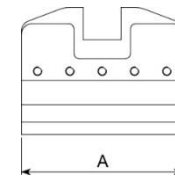
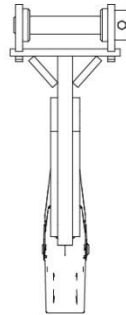
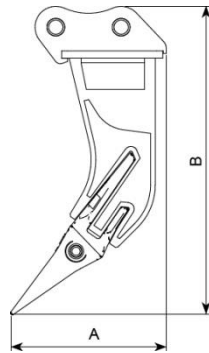
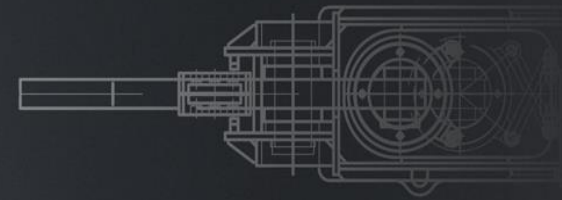


Description		units	SG050H-2	SG080H-2
Weight		kg	445	480
Max Opening Width	A	mm	1,440	1,440
Overall Width	B	mm	620	720
Overall Length	C	mm	930	930
	D	mm	1,084	1,084
Crushing Force		kN	25	25
Allowable Max. System Pressure		MPa	30	30
Swing Motor Setting Pressure		MPa	8	8
Recommended Oil Flow	Cylinder	lpm	50 ~ 90	50 ~ 90
	S / Motor	lpm	10 ~ 15	10 ~ 15
Rotating		-	Hydraulic	
Recommended Carrier Weight		ton	5.0 ~ 7.0	8.0 ~ 10



* Above specifications are subject to change without prior notice.

Mini Ripper/ Scraper



Description		units	RP017	RP035
Weight		kg	23	43
Overall Width	A	mm	261	341
Overall Length	B	mm	518	677
Tooth type		-	Side pin (04 Tooth)	
Recommended Carrier Weight		ton	0.7 ~ 1.7	2 ~ 3.5

* Above specifications are subject to change without prior notice.

Description		units	SC300
Weight		kg	16
Overall Width	A	mm	300
Overall Length	B	mm	235
Recommended Carrier Weight		ton	0.7 ~ 5.0

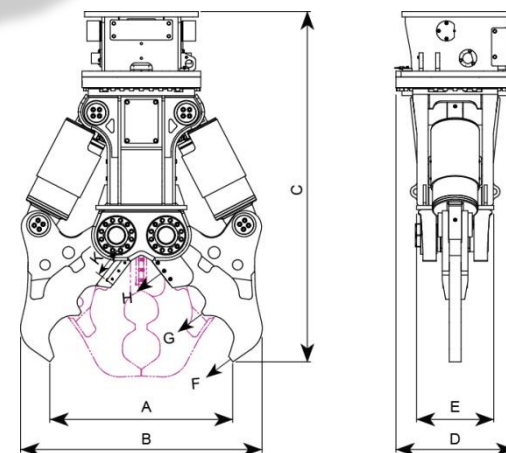
* Above specifications are subject to change without prior notice.

Multi Processor

- Impactful crushing power for work efficiency
- Versatility work with 4 options (crushing / shearing/ pulverizing / multi)
- High strength and wear resistance materials (Hardox) for reliability
- Speed-up valve for fast work (Standard)
- Simple gap adjustment system for maintenance in the field



Description		units	MP140HC-2	MP140RC-2	MP200HC-2	MP220HC-2	MP320HC-2	MP350HC-2
Weight		kg	1,140	1,070	1,685	1,985	3,015	3,360
Max Opening Width	A	mm	830		952	1,067	1,150	1,300
Overall Width	B	mm	1,220		1,292	1,410	1,609	1,776
Overall Length	C	mm	1,801	1,714	1,945	1,970	2,188	2,294
Overall Height	D	mm	590		692	692	811	811
Body Width	E	mm	340		376	450	500	500
Crushing Force	F	kN	422 (@ 33MPa)		588 (@ 33MPa)	647 (@ 33MPa)	863 (@ 33MPa)	883 (@ 33MPa)
	G	kN	677 (@ 33MPa)		892 (@ 33MPa)	1,079 (@ 33MPa)	1,383 (@ 33MPa)	1,471 (@ 33MPa)
Cutting Force	H	kN	1,579 (@ 33MPa)		2,118 (@ 33MPa)	2,422 (@ 33MPa)	3,168 (@ 33MPa)	3,687 (@ 33MPa)
Cutter Length	K	mm	170		170	170	200	200
Allowable Max. System Pressure		MPa	35		38	38	38	38
Swing Motor Setting Pressure		MPa	21	-	21	21	21	21
Recommended Oil Flow	Cylinder	lpm	80 ~ 180		110 ~ 250	150 ~ 250	250 ~ 350	250 ~ 350
	S / Motor	lpm	36 ~ 40	-	36 ~ 40	36 ~ 40	36 ~ 40	36 ~ 40
Speed-up Valve		-	Standard					
Rotating		-	Hydraulic	Free	Hydraulic			
Recommended Carrier Weight		ton	12 ~ 18		16 ~ 24	20 ~ 28	28 ~ 38	30 ~ 40
Optional Jaw Types			P, M		P, M	S, P, M	S, P, M	S, P, M



Option Jaw



Crusher (C)



Shear (S)



Pulverizer (P)

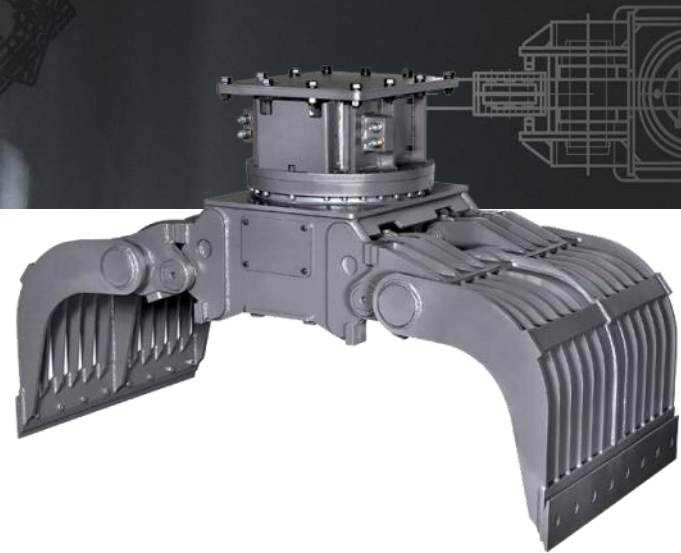


Mult (M)

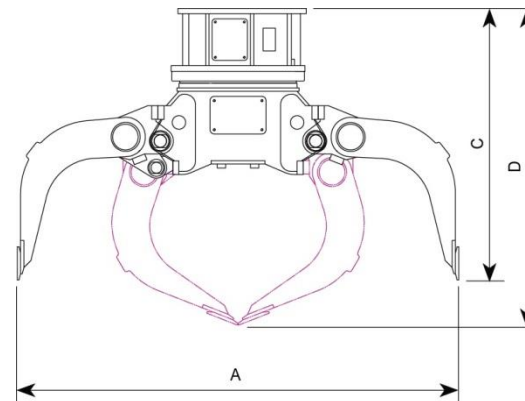
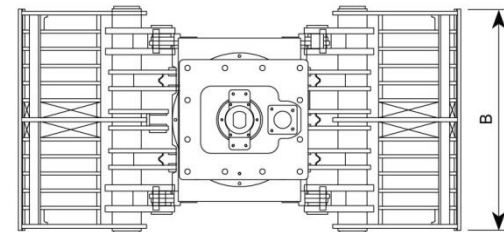
* Above specifications are subject to change without prior notice.

Sorting Grab

- 360° hydraulic rotating
- Double cylinder system for closing and grab force
- High strength and wear resistance materials (Hardox) for reliability



Description		units	SG150H-2	SG200H-2
Weight		kg	800	1,360
Max Opening Width	A	mm	1,800	2,116
Overall Width	B	mm	910	1,070
Overall Length	C	mm	1,100	1,310
	D	mm	1,290	1,525
Crushing Force		kN	41	51
Allowable Max. System Pressure		MPa	38	38
Swing Motor Setting Pressure		MPa	21	21
Recommended Oil Flow	Cylinder	lpm	110 ~ 200	150 ~ 250
	S / Motor	lpm	10 ~ 15	36 ~ 40
Rotating		-	Hydraulic	
Recommended Carrier Weight		ton	12 ~ 18	20 ~ 28



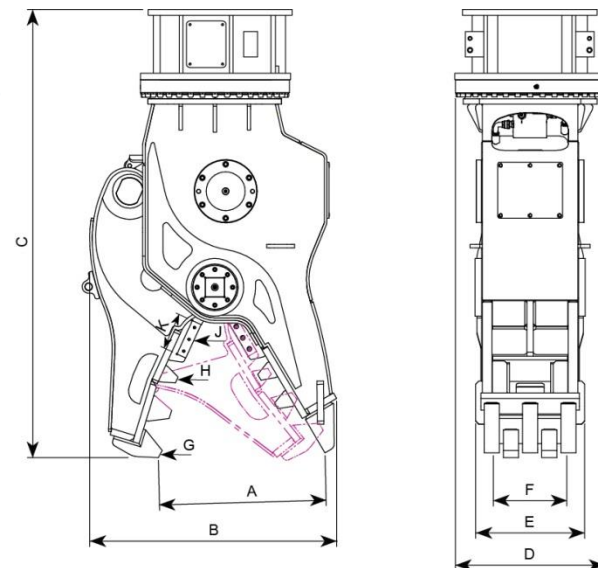
* Above specifications are subject to change without prior notice.

Pulverizer (Rotating)

- 360° hydraulic rotating
- Trunnion mounting cylinder for compact design
- High strength and wear resistance materials (Hardox) for reliability
- Speed-up valve for fast work (Standard)

Description		units	PR200H-2
Weight		kg	1,880
Max Opening Width	A	mm	773
Overall Width	B	mm	1,145
Overall Length	C	mm	2,025
Overall Height	D	mm	692
Body Width	E	mm	506
Arm Width	F	mm	300
Crushing Force	G	kN	510 (@ 33MPa)
	H	kN	902 (@ 33MPa)
Cutting Force	J	kN	1,579 (@ 33MPa)
Cutter Length	K	mm	170
Allowable Max. System Pressure		MPa	38
Swing Motor Setting Pressure		MPa	21
Recommended Oil Flow	Cylinder	lpm	150 ~ 250
	S / Motor	lpm	36 ~ 40
Speed-up Valve		-	Standard
Rotating		-	Hydraulic
Recommended Carrier Weight		ton	20 ~ 28

* Above specifications are subject to change without prior notice.

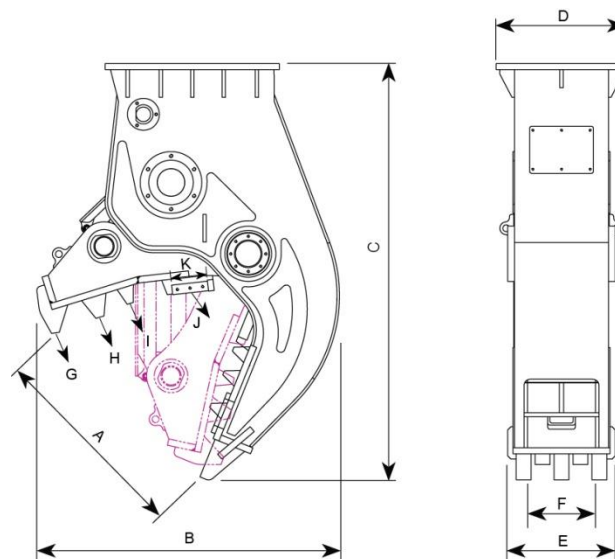


Pulverizer (Fixed)

- Wide jaw opening for work efficient
- Trunnion mounting cylinder for compact design
- High strength and wear resistance materials (Hardox) for reliability
- Speed-up valve for fast work (Standard)



Description		units	PR150F	PR200F	PR300F
Weight		kg	1,300	1,730	2,393
Max Opening Width	A	mm	840	970	1,065
Overall Width	B	mm	1,214	1,424	1,580
Overall Length	C	mm	1,663	1,955	2,166
Overall Height	D	mm	580	615	680
Body Width	E	mm	450	506	604
Arm Width	F	mm	310	320	380
Crushing Force	G	kN	373 (@ 33MPa)	471 (@ 33MPa)	569 (@ 33MPa)
	H	kN	490 (@ 33MPa)	608 (@ 33MPa)	736 (@ 33MPa)
	I	kN	618 (@ 33MPa)	765 (@ 33MPa)	941 (@ 33MPa)
Cutting Force	J	kN	1,393 (@ 33MPa)	1,814 (@ 33MPa)	2,197 (@ 33MPa)
Cutter Length	K	mm	170	200	200
Allowable Max. System Pressure		MPa	38	38	38
Recommended Oil Flow		lpm	110 ~ 200	150 ~ 250	250 ~ 300
Speed-up Valve		-	Standard		
Recommended Carrier Weight		ton	12 ~ 18	20 ~ 28	29 ~ 40



* Above specifications are subject to change without prior notice.

Stone Grab

- 360° hydraulic rotating
- 4-bar linkage system for fast motion and wide opening
- High strength and wear resistance materials (Hardox) for reliability
- Check valve for safety

Description		units	ST150H-2	ST200H-2
Weight		kg	820	1,400
Max Opening Width	A	mm	1,671	2,303
Overall Length	B	mm	1,750	2,130
	C	mm	1,969	2,509
Arm Width	D	mm	350	435
	E	mm	600	750
Arm Length	F	mm	989	1,356
Allowable Max. System Pressure		MPa	38	38
Swing Motor Setting Pressure		MPa	21	21
Recommended Oil Flow	Cylinder	lpm	110 ~ 200	150 ~ 250
	S / Motor	lpm	36 ~ 40	36 ~ 40
Rotating		-	Hydraulic	
Recommended Carrier Weight		ton	12 ~ 18	20 ~ 28

* Above specifications are subject to change without prior notice.

